

COR 
pro TRONIC[®]

The innovative ESD-Packaging solution by KOLB

HANS KOLB 
COATED PRODUCTS

COR 
pro **TRONIC** [®]

The innovative ESD-Packaging solution by KOLB

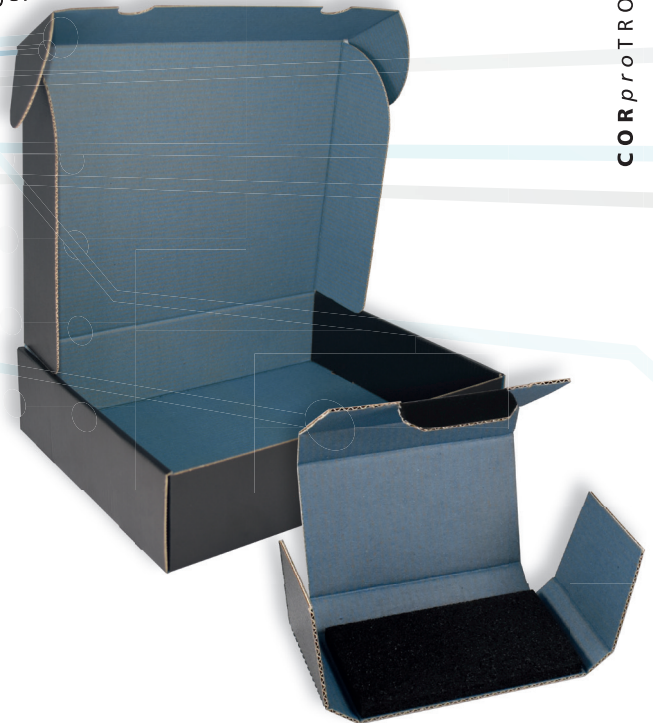
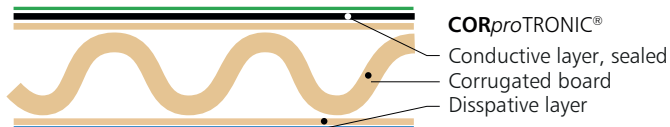
Innovative ESD material for high requirements

For many decades, **KOLB CoatedProducts** has been a competent partner for all ESD packaging for sensitive electronic components.

Components and assemblies are becoming ever smaller and more sensitive. This also increases the respective requirements for professional protection. The requirement for shielding has been increased from 50 nJ to 20 nJ in ANSI/ESD S541. This adjustment is also expected in the near future to DIN EN 61340-5-3. We will continue to meet this challenge!

With **CORproTRONIC®** we have developed a new type of material that not only meets the high shielding requirements. It also offers you a completely new flexibility.

Due to our modern production processes, we will be able to realize **CORproTRONIC®** in all available corrugation types in the future. It has never been easier to achieve your ESD packaging goals with **KOLB CoatedProducts**.



CORproTRONIC®

CORSTAT™

CORTRONIC®

CORproTRONIC®

Technical Facts	CORSTAT™	CORTRONIC®	CORproTRONIC®
Electrical			
Surface resistance (Ohm)			
- Outer layer	10 ⁵⁻⁶	10 ⁷⁻⁸	<2 x 10 ²
- Fluting / Mid layer		<2 x 10 ²	
- Inner layer	10 ⁵⁻⁶	10 ⁷⁻⁸	10 ⁶⁻⁷
Controlled potential equalization	Yes	Yes	Yes
Tribocharging	None	None	None
Surface colours	Black	Blue, Standard	Outer layer: Black Inner layer: Blue, Standard
Energy Bag Test ANSI / ESD STM 11-31 IEC 61340-4-8*	< 50 nJ	< 10 nJ	< 5 nJ
Chemical			
Corrosion	None	None	None
Galvanic Potential	None	None	None
Recyclability	Resy 0062 / PAP20	Resy 0062 / PAP20	Resy 0062 / PAP20
Mechanical			
Resistance to abrasion (Varnished surface)	Good	Good	Good
Printability	Limited	Limited	Limited
Moisture	No limitation of the electrical features	No limitation of the electrical features	No limitation of the electrical features
Specifications			
Equivalent of	ANSI/ESD S541 DIN EN 61340-5-3	ANSI/ESD S541 DIN EN 61340-5-3	ANSI/ESD S541 DIN EN 61340-5-3
No subject to RoHS-guidelines (2002/95/EG and 2002/96/EG)			
Weight example			
e.g. L 600 W 400 H 120 mm	0,58 kg	0,58 kg	0,58 kg

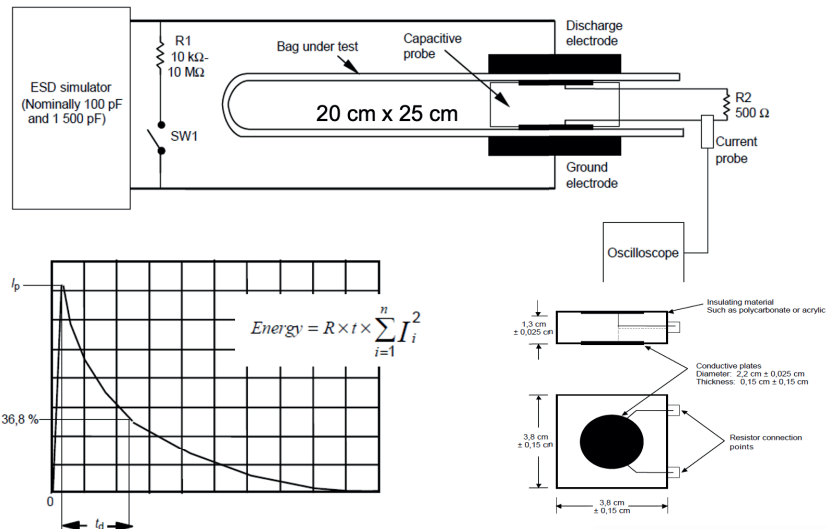
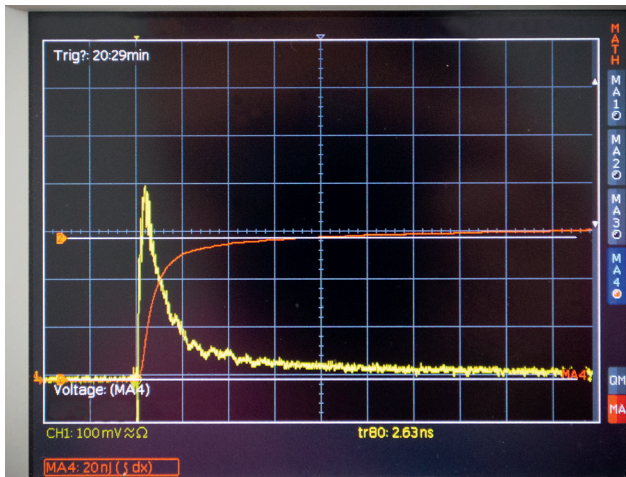
*Reference: Test sample size 250 x 200 x 13 mm, E-Flute

Proven Material Quality

According to the IEC 61340-4-8 standard, packaging with a shielding effect against electrostatic discharges must be able to attenuate an electrostatic discharge. The calculated energy in a shielding bag against electrostatic discharges must therefore be tested by means of the energy bag test according to IEC 61340-4-8 or an equivalent test method.

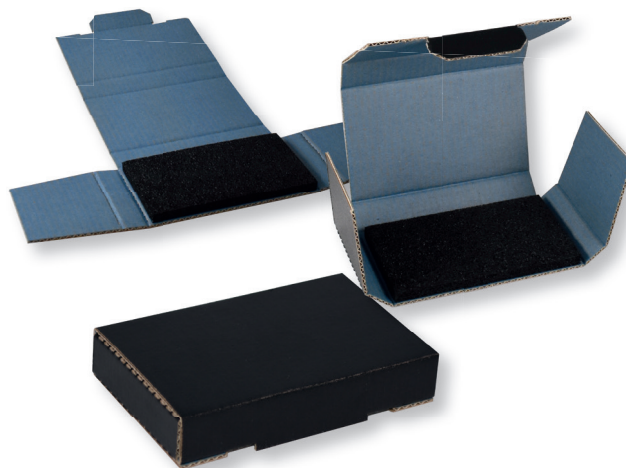
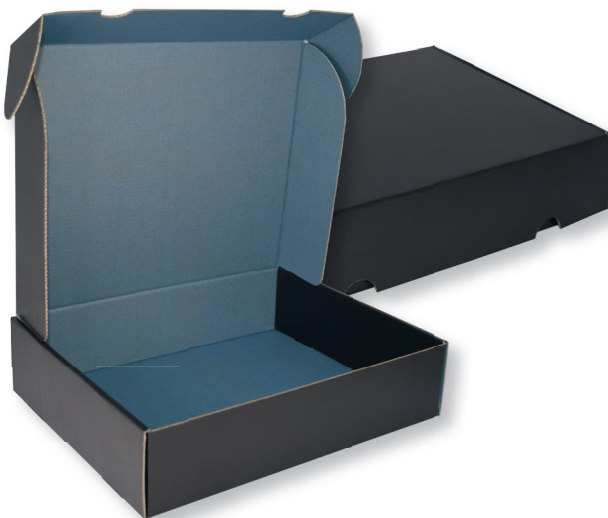
Thanks to the standard-compliant test set-up we developed ourselves, we are able to carry out these tests in-house. A test object of the size 20 cm x 25 cm is stressed with an ESD pulse of 1000 V. The test object's interior is exposed to the ESD pulse. The signal arriving inside the test object is measured as current with a capacitive sensor (capacitive probe) and a current probe.

Energy Bag Test



Diverse Solution, Uniform Protection

With our constructive, customised solutions, we offer you exactly the packaging solution you need for your handling, shipping and intralogistics processes. Convince yourself of the enormous flexibility of **CORproTRONIC®** and take advantage of the further improved technical properties of this innovative material from **KOLB CoatedProducts**.





**Successful packaging
for successful products**

KOLB CoatedProducts

A Division of
HANS KOLB Wellpappe GmbH & Co. KG
Dr.-Lauter-Straße 2
D-87700 Memmingen

Tel. +49 8331 975 - 308
cp@kolb-wellpappe.com